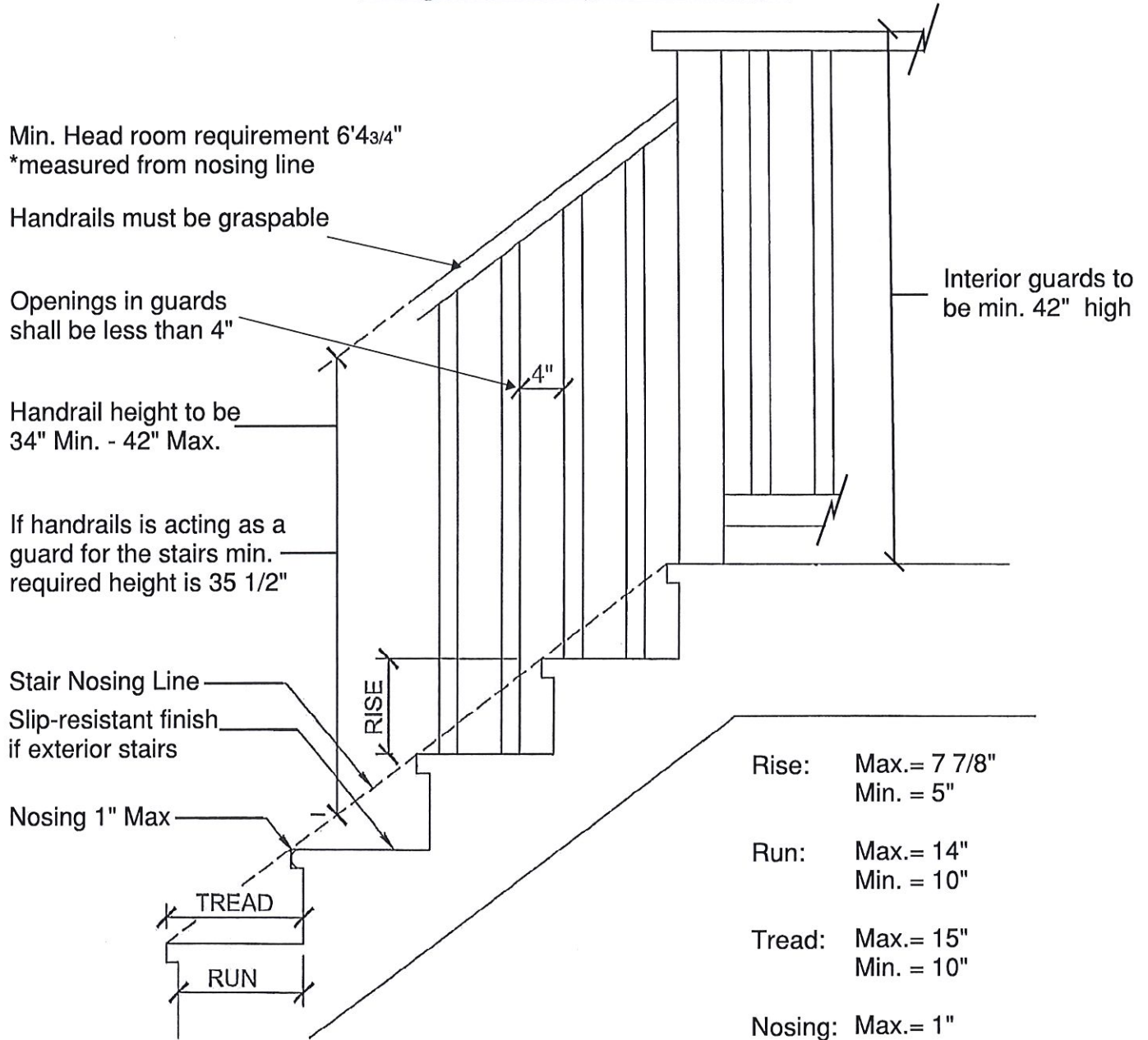




Typical Details for Stairs, Guards & Handrails for Single Family Dwellings



Notes:

- *Minimum stair width is 34"
- *One handrail is required on exterior stairs with more than three risers and interior stairs with more than two risers, serving not more than one dwelling unit
- *Handrail and headroom height to be measured vertically from the stair nosing line.
- *Exterior guards can be min. 35 1/2" high if landing or walking surface is less than 5"11" above finished adjacent grade.