

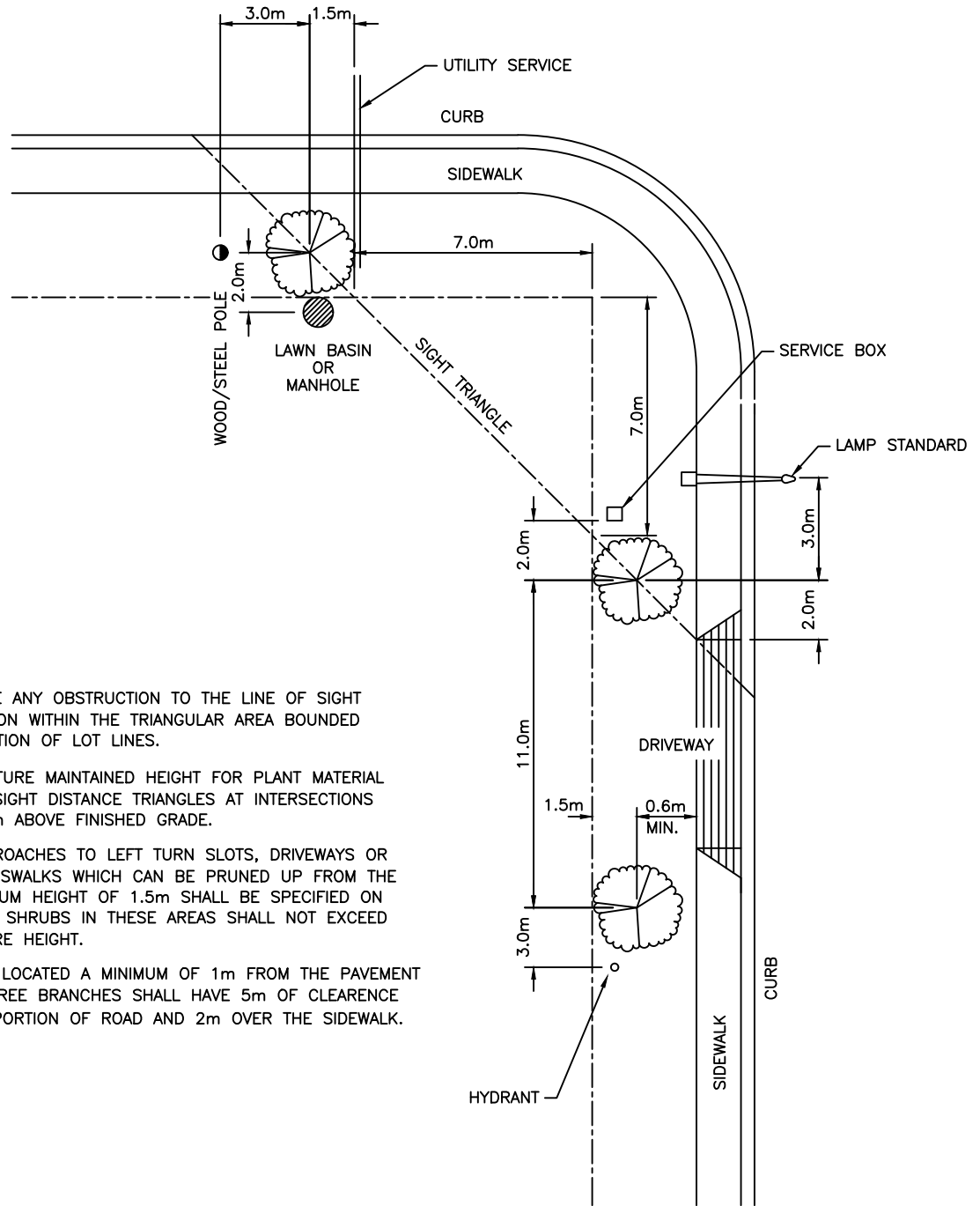
NOTE: STREET TREES TO BE SPECIFIED ON ENGINEERING DESIGN SUBMISSION (KEY PLAN);

- MINIMUM CALIPER DEPICTED AND THE SPECIES PROPOSED BY BCLA PER SECTION L-1 TO BE SPECIFIED.
- ALL BURLAP MUST BE REMOVED FROM SURFACE, AND ANY RETAINED BURLAP BELLOW SURFACE MUST BE SUITABLY SPLIT TO ALLOW FOR ROOT GROWTH.

City of  
**Parksville**

TREE PLANTING DETAIL

|          |          |
|----------|----------|
| Scale    | N.T.S.   |
| Drawn    | G.G.     |
| Date:    | MAY 2016 |
| Dwg. No. | L1       |

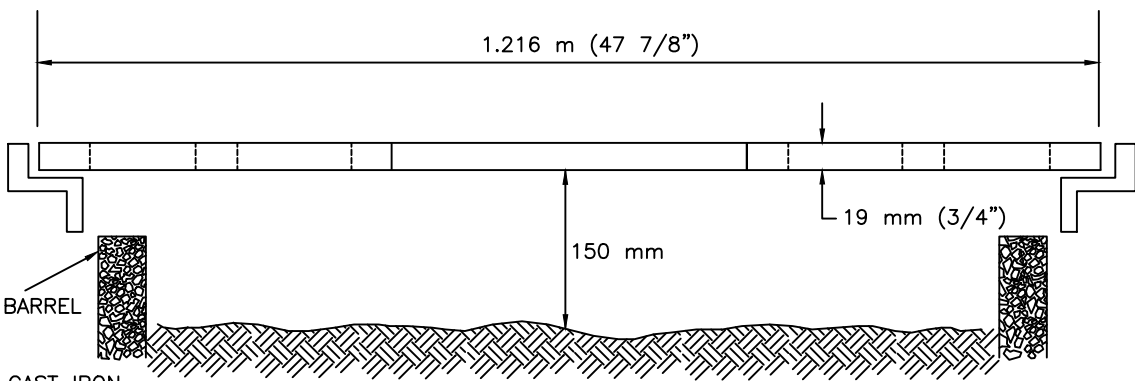
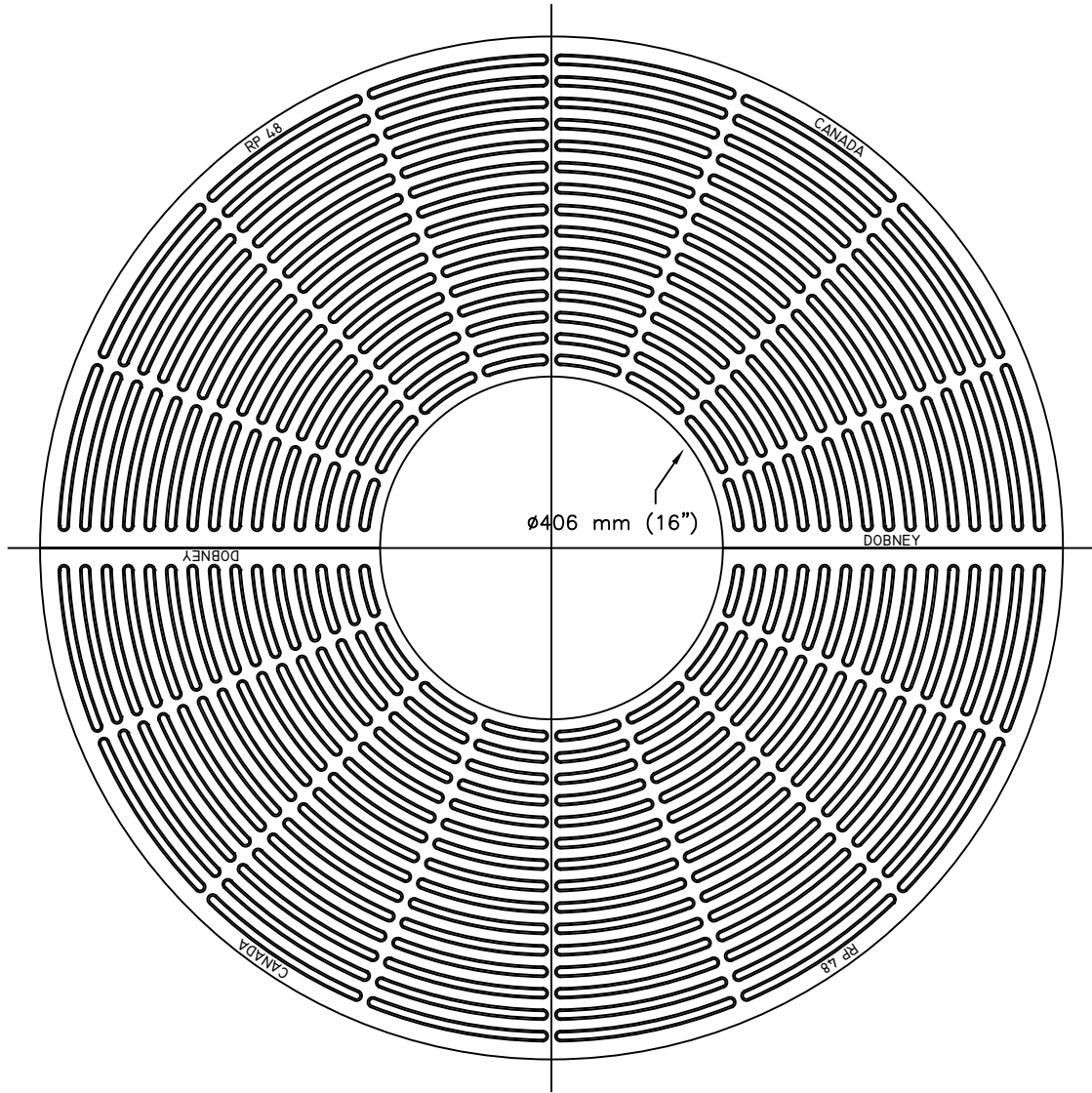


THERE CANNOT BE ANY OBSTRUCTION TO THE LINE OF SIGHT AT AN INTERSECTION WITHIN THE TRIANGULAR AREA BOUNDED BY THE INTERSECTION OF LOT LINES.

THE MAXIMUM MATURE MAINTAINED HEIGHT FOR PLANT MATERIAL LOCATED WITHIN SIGHT DISTANCE TRIANGLES AT INTERSECTIONS SHALL BE 300mm ABOVE FINISHED GRADE.

TREES NEAR APPROACHES TO LEFT TURN SLOTS, DRIVEWAYS OR PEDESTRIAN CROSSWALKS WHICH CAN BE PRUNED UP FROM THE BASE TO A MINIMUM HEIGHT OF 1.5m SHALL BE SPECIFIED ON THE APPLICATION. SHRUBS IN THESE AREAS SHALL NOT EXCEED 300mm IN MATURE HEIGHT.

TREES SHALL BE LOCATED A MINIMUM OF 1m FROM THE PAVEMENT OR CURB FACE. TREE BRANCHES SHALL HAVE 5m OF CLEARANCE OVER TRAVELED PORTION OF ROAD AND 2m OVER THE SIDEWALK.

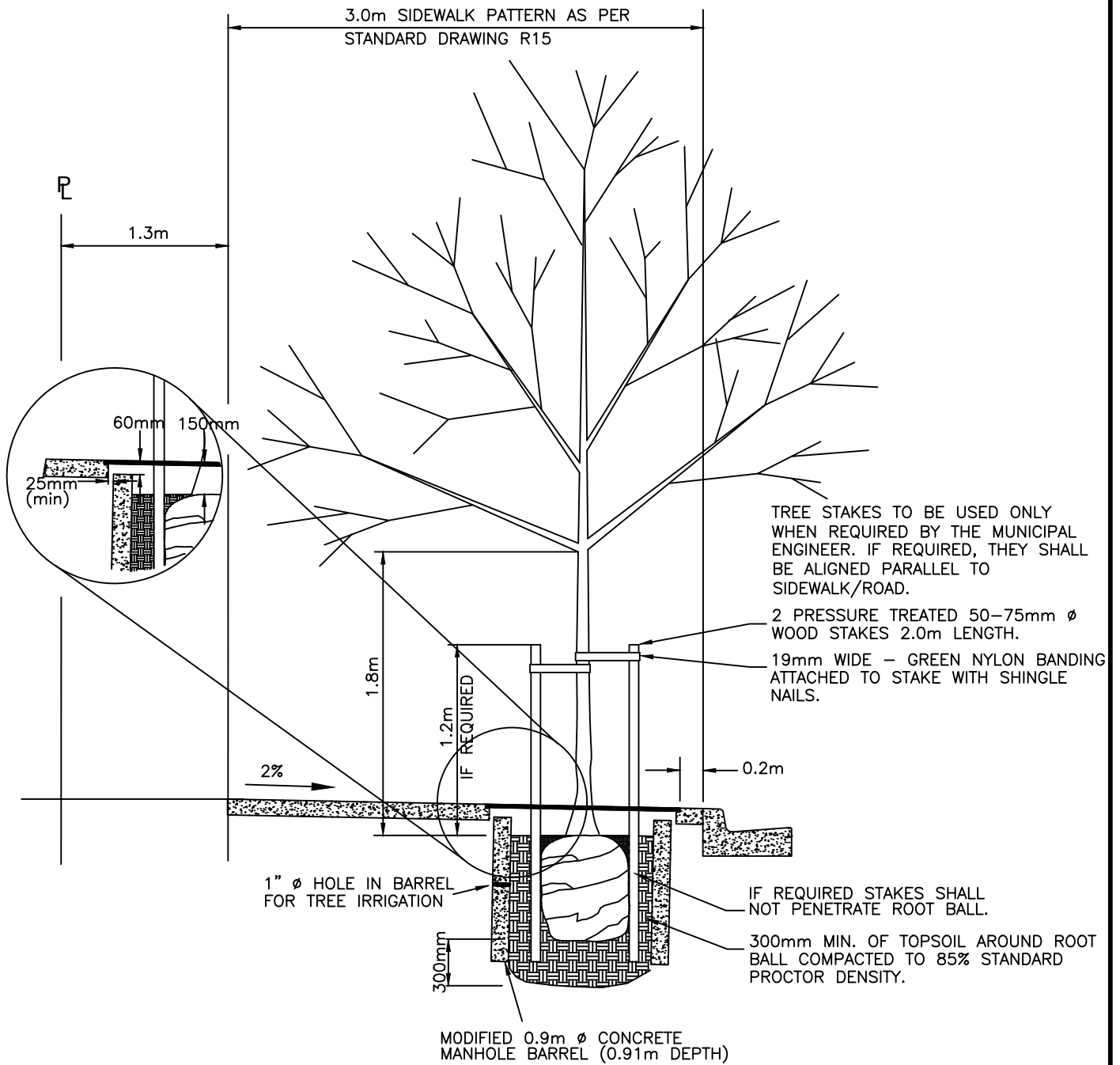


MATERIAL: CAST IRON  
 FINISH: TREE GRATES SHALL BE POWDER COATED BLACK.  
 IF STAKES ARE REQUIRED, THEY SHOULD BE MARKED.



ORNAMENTAL TREE GRATE  
 AND FRAME

|          |          |
|----------|----------|
| Scale    | N.T.S.   |
| Drawn    | G.G.     |
| Date:    | MAY 2016 |
| Dwg. No. | L3       |



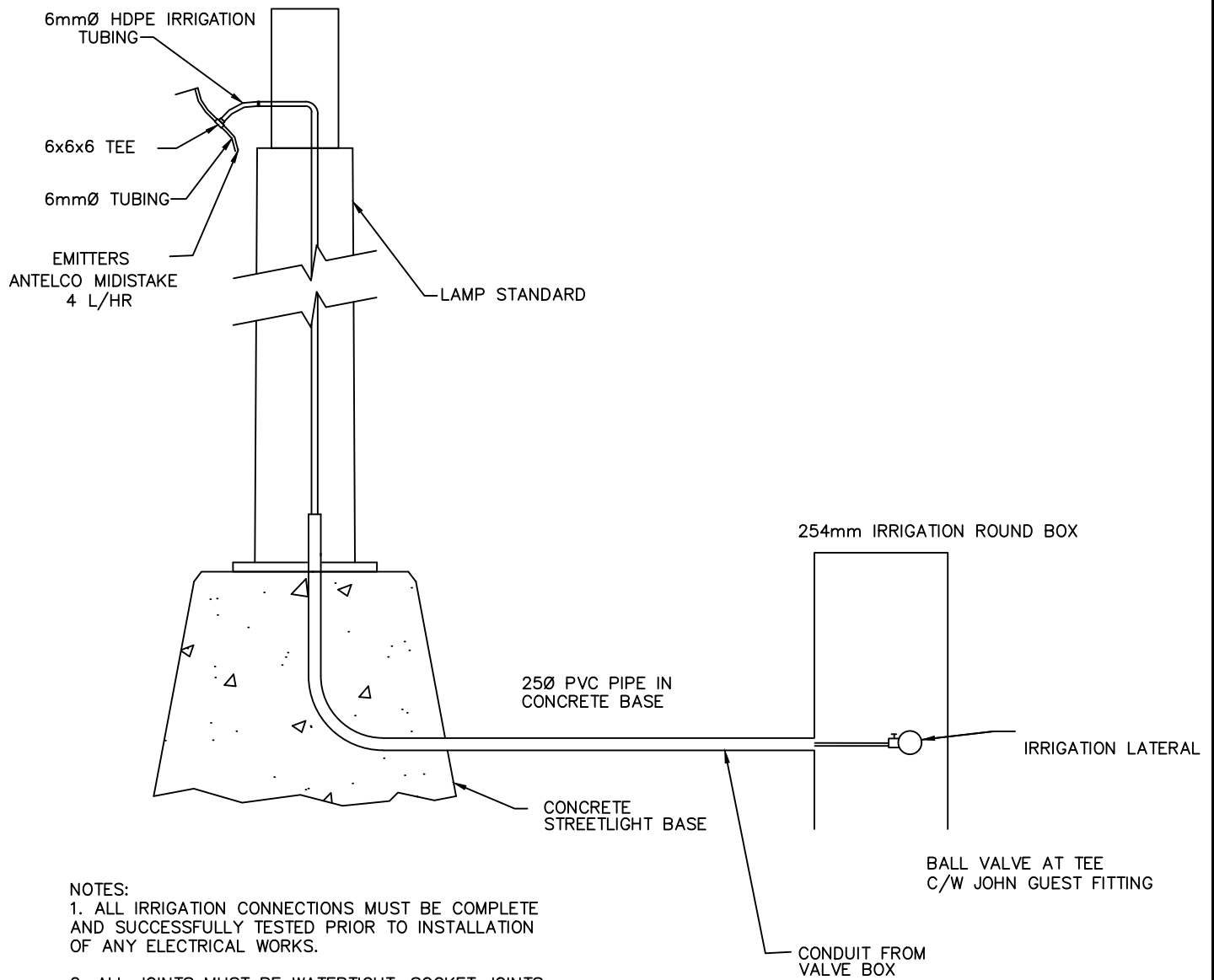
NOTE: STREET TREES TO BE SPECIFIED ON ENGINEERING DESIGN SUBMISSION (KEY PLAN);  
 - MINIMUM CALIPER DEPICTED AND THE SPECIES PROPOSED BY BCLA PER SECTION 8 TO BE SPECIFIED.  
 - ALL BURLAP MUST BE REMOVED FROM SURFACE, AND ANY RETAINED BURLAP BELOW SURFACE MUST BE SUITABLY SPLIT TO ALLOW FOR ROOT GROWTH.

TREE GRATES MUST BE POWDER COATED. REFER TO STANDARD DRAWING L3.  
 TREE GRATE & FRAME SHALL BE AS PER APPROVED PRODUCTS LIST.

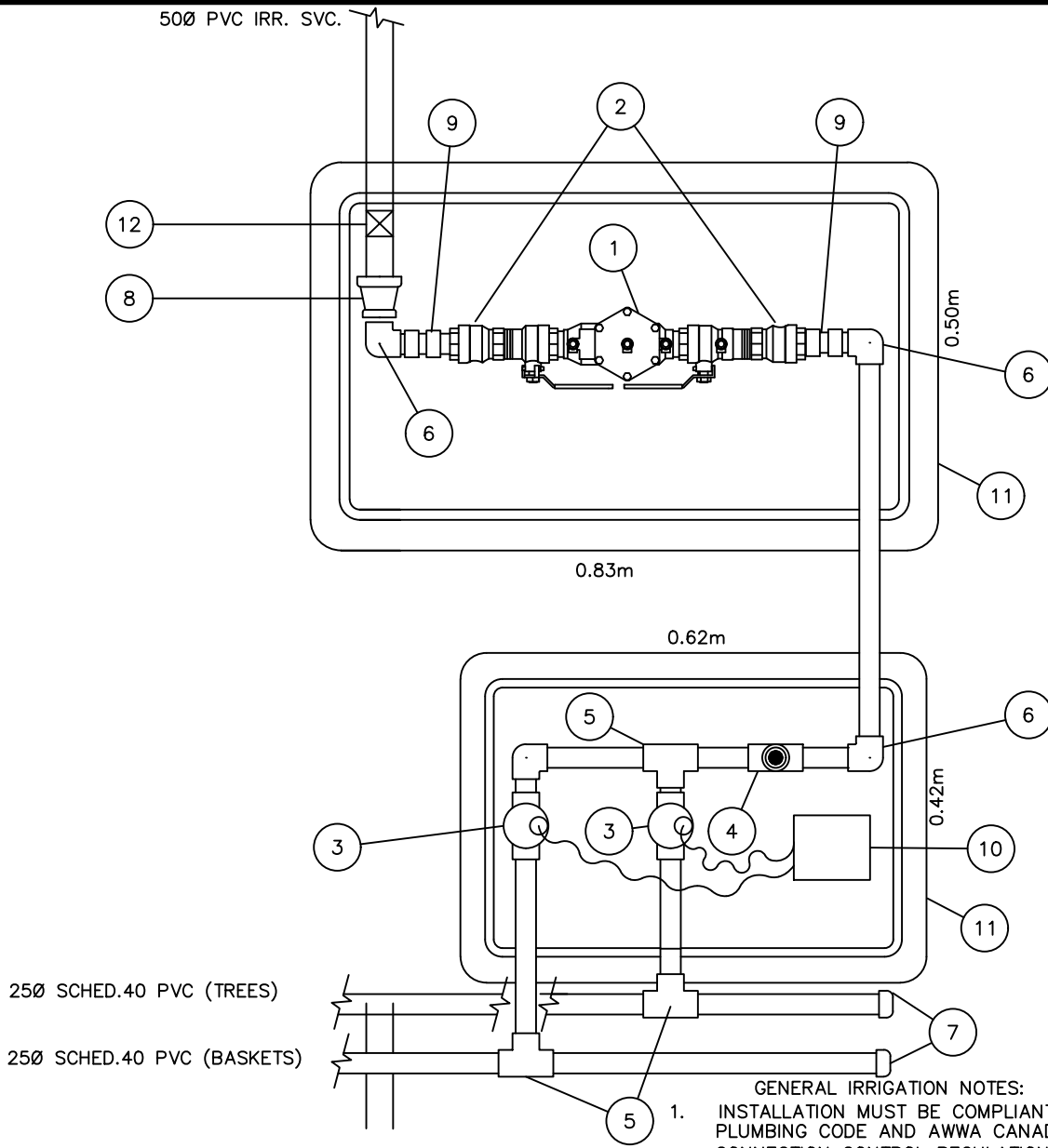
City of  
**Parksville**

SIDEWALK TREE PLANTING  
 DETAIL

|          |          |
|----------|----------|
| Scale    | N.T.S.   |
| Drawn    | G.G.     |
| Date:    | MAY 2016 |
| Dwg. No. | L4       |



- NOTES:
1. ALL IRRIGATION CONNECTIONS MUST BE COMPLETE AND SUCCESSFULLY TESTED PRIOR TO INSTALLATION OF ANY ELECTRICAL WORKS.
  2. ALL JOINTS MUST BE WATERTIGHT. SOCKET JOINTS TO BE SOCKET WELDED. THREADED JOINTS TO BE SECURED WITH TEFLON TAPE.
  3. UPON COMPLETION OF THE ELECTRICAL WORKS, NO FURTHER ACCESS TO THIS COMPARTMENT IS PERMITTED.
  4. ENSURE OFFSET OF 300mm FROM THE ELECTRICAL DUCT.
  5. 6mm TUBING IN ONE PIECE FROM BALL VALVE TO MICRO-FITTING TEE
  6. ALL PVC PIPE TO BE SCH 40
  7. CONSIDERATION MUST BE GIVEN TO ELEVATION CHANGES



250 SCHED.40 PVC (TREES)  
 250 SCHED.40 PVC (BASKETS)

**MATERIALS**

1. 250 DOUBLE CHECK VALVE, "WATTS" 007M2QT, FNPTxFNPT, OR AS APPROVED.
2. BRASS UNION, FNPT x FNPT
3. 250 SOLENOID CONTROL VALVE c/w FILTER AND PRV (HUNTER ICV)
4. 250 BLOWOFF
5. 250 PVC TEE, SCH. 40
6. 250 PVC ELBOW, SCH. 40
7. 250 PVC CAP, SCH. 40
8. 50x25 PVC REDUCER
9. 250 PVC ADAPTER, SOCxMNPT
10. BATTERY OPERATION CONTROLLER (HUNTER NODE)
11. GREEN PLASTIC PROFESSIONAL GRADE IRRIGATION BOX
12. BRASS SHUT OFF

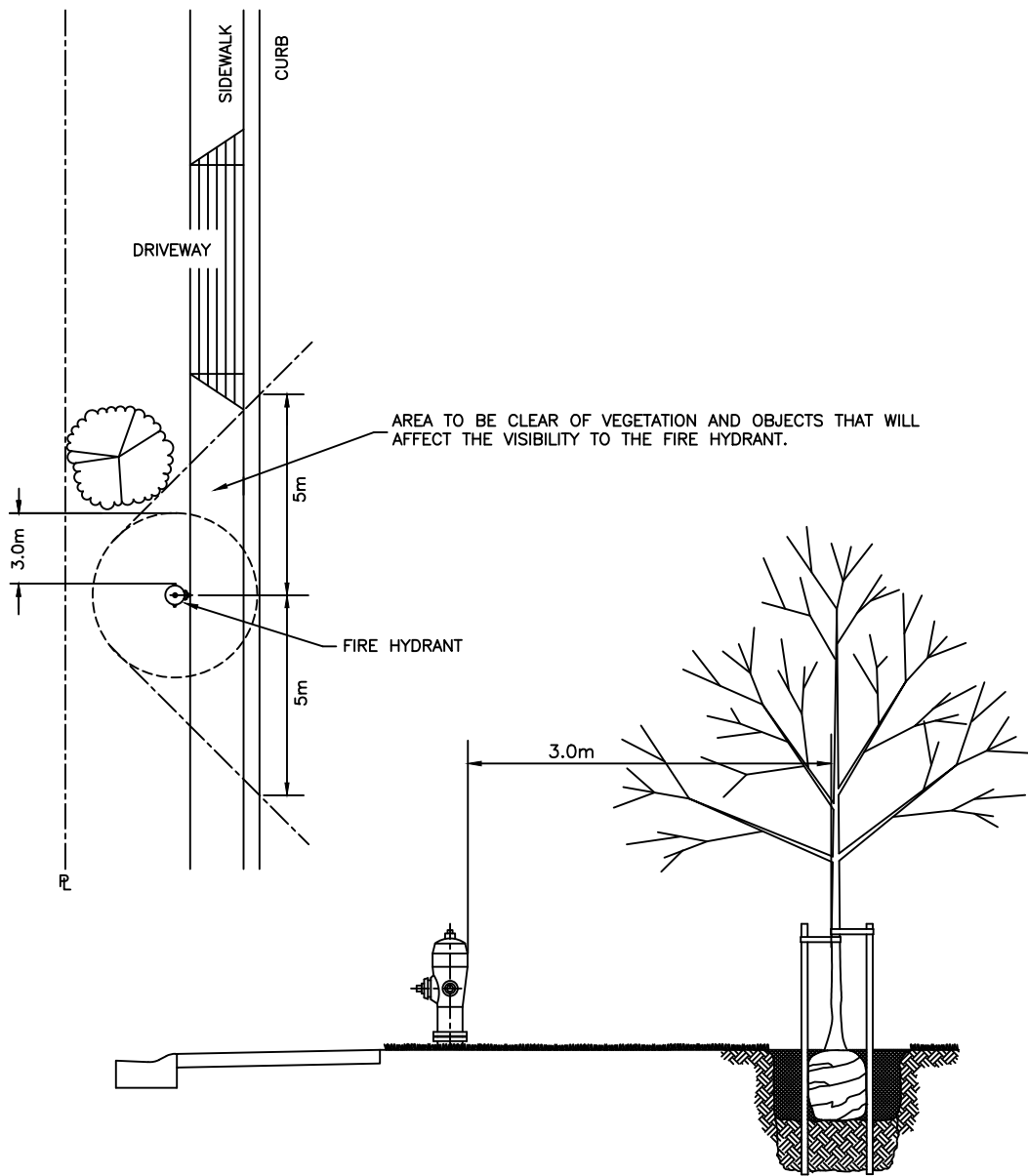
**GENERAL IRRIGATION NOTES:**

1. INSTALLATION MUST BE COMPLIANT WITH THE BC PLUMBING CODE AND AWWA CANADIAN CROSS CONNECTION CONTROL REGULATIONS.
2. BACKFLOW DEVICE SHALL BE INSTALLED READILY ACCESSIBLE WITH ADEQUATE SPACE TO FACILITATE MAINTENANCE AND TESTING.
3. INDIVIDUAL ZONES REQUIRED FOR TREES AND BASKETS.
4. PIPE, CONDUIT AND FITTINGS TO BE SCHEDULE 40 PVC.
5. PIPE, TUBES AND WIRES TO BE CONTAINED WITHIN AN ENCASING CONDUIT.
6. BED ALL PIPING OUTSIDE BOX WITH SAND.
7. ENSURE OFFSET OF 300mm FROM THE ELECTRICAL DUCT.
8. MUST BE SIZED TO SYSTEM REQUIREMENTS
9. ALL PVC PIPE TO BE SCHEDULE 40



IRRIGATION CONNECTION AND  
 CONTROLS DETAIL

|          |          |
|----------|----------|
| Scale    | N.T.S.   |
| Drawn    | G.G.     |
| Date:    | NOV 2017 |
| Dwg. No. | L6       |



NOTE: TREES (AND ANY OBJECT OR BUILDING) NEED TO BE LOCATED, AT A MINIMUM, 3m FROM A FIRE HYDRANT. THERE SHOULD BE A MINIMUM OF 5.0m CLEARANCE, ON THE ROAD, IN FRONT OF A FIRE HYDRANT.

City of  
**Parksville**

TREE PROXIMITY TO FIRE  
HYDRANT

Scale N.T.S.

Drawn G.G.

Date: MAY 2016

Dwg. No. L7

254mm ROUND PROFESSIONAL GRADE  
FLUSH COVER, c/w LOCK BOLT

SHRINK WRAP NDS PRO  
BOX TO PVC RISER TO  
KEEP IN PLACE DURING  
BACKFILL

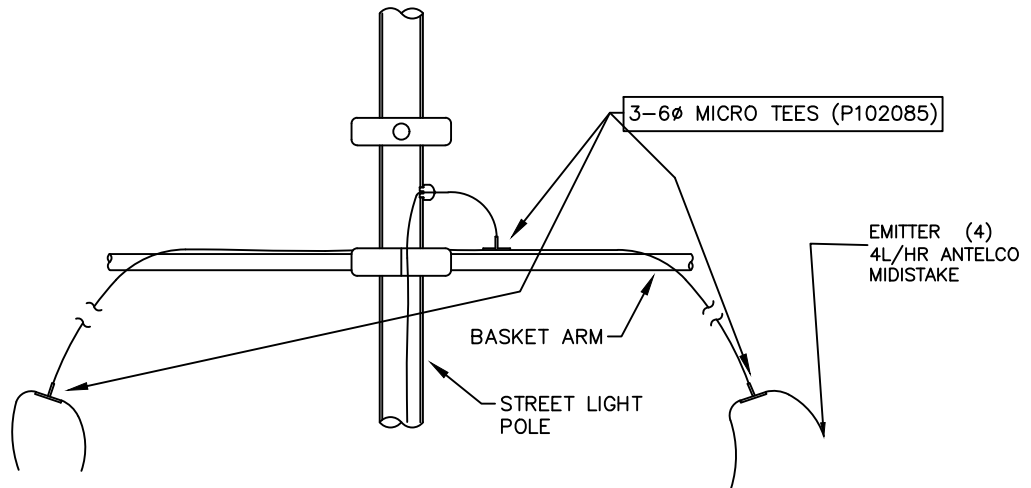
12 $\phi$  COUPLING,  
SOC x FPT

300 $\phi$  PVC SDR 35  
RISER LENGTH TO  
SUIT c/w PORTS FOR  
12 $\phi$  IRRIGATION LINE

6mm  
TUBING TO  
BASKETS

BRICK FOOTING

### CONNECTION SERVICE BOX



### IRRIGATION DRIP BRANCHES AND CHECK VALVE AT STREET LIGHT BASKETS

NOTE: ALL PVC PIPING TO BE SIZED FOR SYSTEM REQUIREMENTS

City of  
**Parksville**

CONNECTION SERVICE BOX  
AND DRIP IRRIGATION

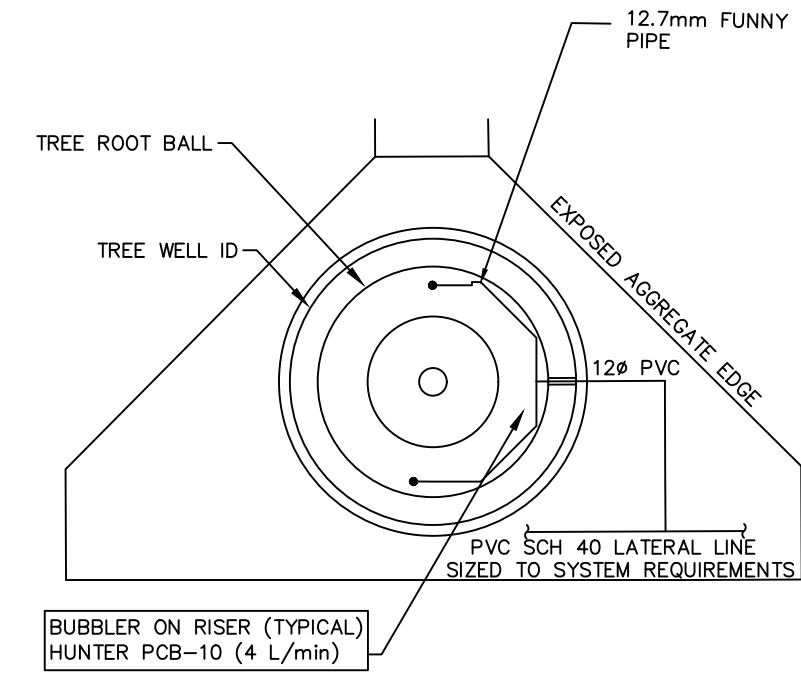
Scale N.T.S.

Drawn G.G.

Date: MAY 2016

Dwg. No. L8

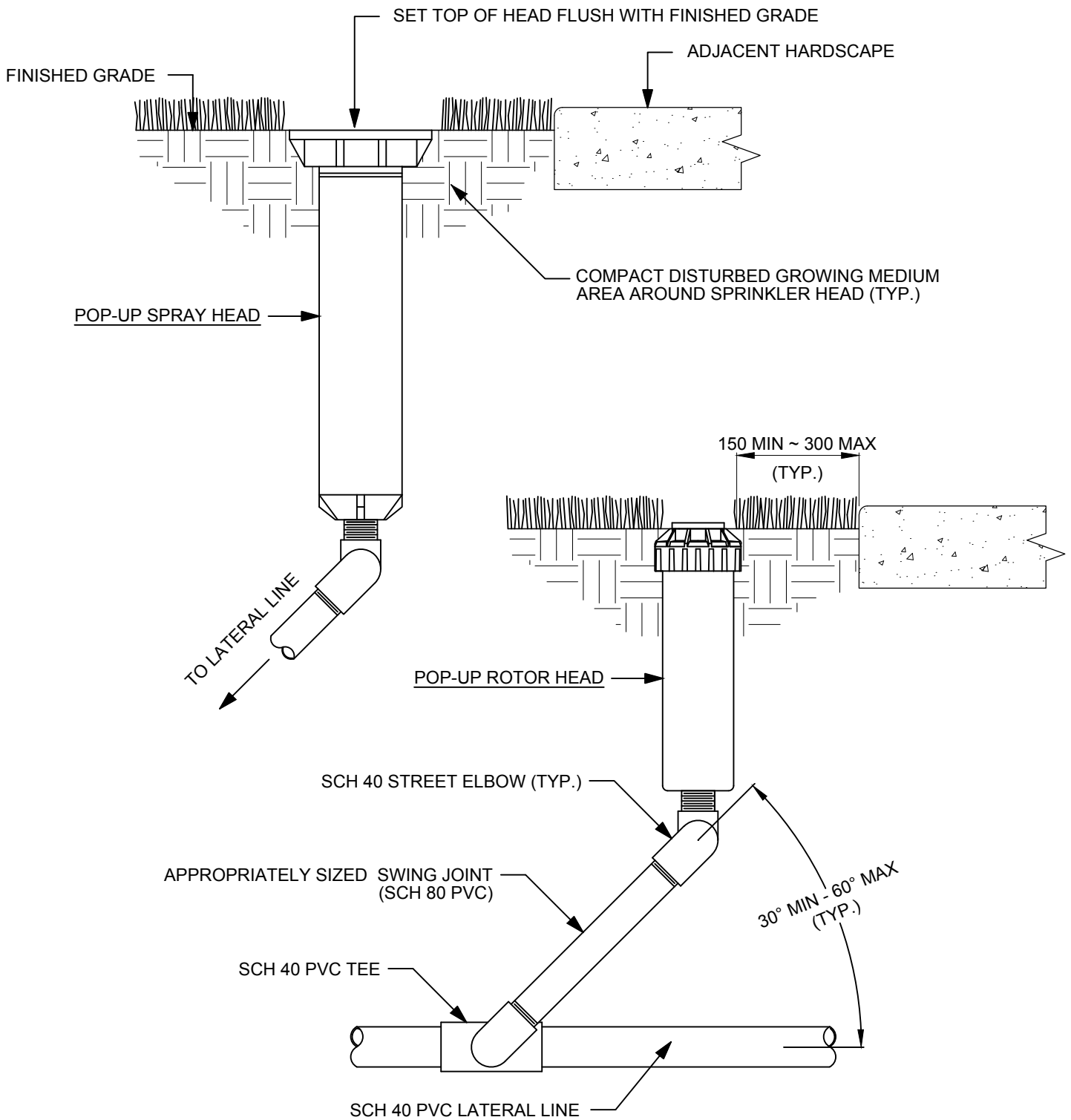




TREE WELL BUBBLER LAYOUT PLAN

UNDER TREE GRATE  
 12.7mm FUNNY 90"  
 12.7mm MARLEX 90"  
 SHRUB ADAPT PCN 25 NOZZLE WITH FILTER

NO TREE GRATE  
 12.7mm FUNNY 90"  
 12.7mm MARLEX 90"  
 102mm HUNTER INDUSTRIAL HEAD C/W CHECK PCN 25 NOZZLE WITH FILTER



**NOTES:**

1. STREET ELBOW SIZED TO INLET OF SPRAY HEAD
2. ALL DETAIL NOTES APPLICABLE TO BOTH IRRIGATION HEAD TYPES