

DISTURBED AREA RESTORED TO ORIGINAL CONDITION OR BETTER

TRENCH MARKER TAPE

BACKFILL WITH EXCAVATED MATERIAL IF APPROVED BY THE GEOTECHNICAL ENGINEER

TYPE 1 BEDDING SAND IN ACCORDANCE WITH SECTION 4

100 MINIMUM ON ALL SIDES

600 MINIMUM

300

MINIMUM 1.0m SEPARATION

TO SUIT No. OF CONDUITS

SEWER, WATER OR OTHER UTILITIES (DEPTH VARIES)

NOTES:

1. SURFACE RESTORATION TO MATCH EXISTING OR AS SPECIFIED ON CONTRACT DRAWINGS.
2. TRENCHING TO COMPLY WITH ALL REQUIREMENTS OF WORK SAFE BC.
3. REFER TO CONTRACT DRAWINGS AND SECTION 8 FOR DETAILED SPECIFICATIONS
4. ALL DIMENSIONS IN MILLIMETRES UNLESS OTHERWISE NOTED

City of
Parksville

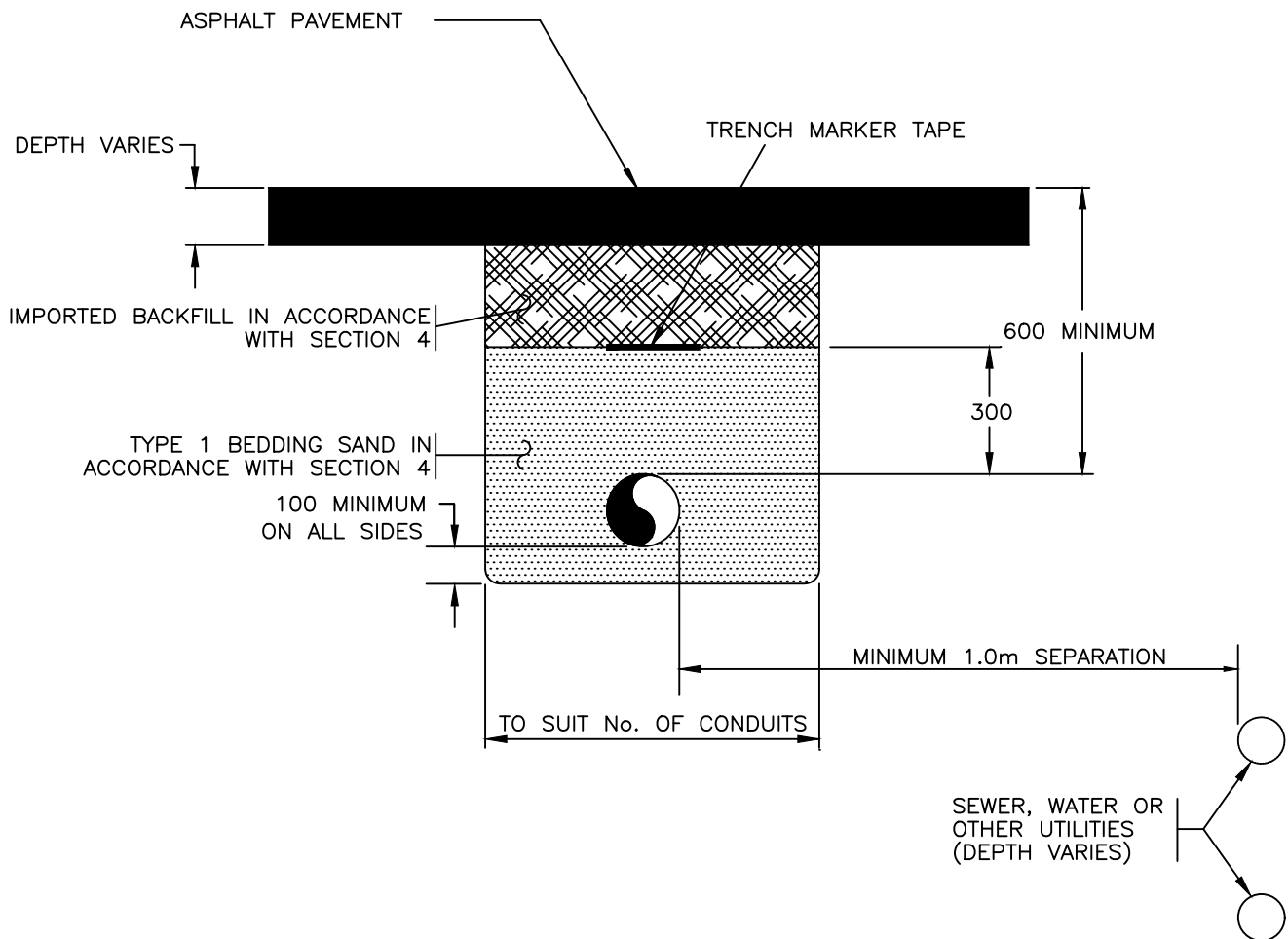
UNDERGROUND STREET LIGHT CONDUIT
IN NON-PAVED AREAS

Scale N.T.S.

Drawn G.G.

Date: MAY 2016

Dwg. No. E1



NOTES:

1. SURFACE RESTORATION TO MATCH EXISTING OR AS SPECIFIED ON CONTRACT DRAWINGS.
2. TRENCHING TO COMPLY WITH ALL REQUIREMENTS OF WORK SAFE BC
3. REFER TO CONTRACT DRAWINGS AND SECTION 8 FOR DETAILED SPECIFICATIONS
4. ALL DIMENSIONS IN MILLIMETRES UNLESS OTHERWISE NOTED

City of
Parksville

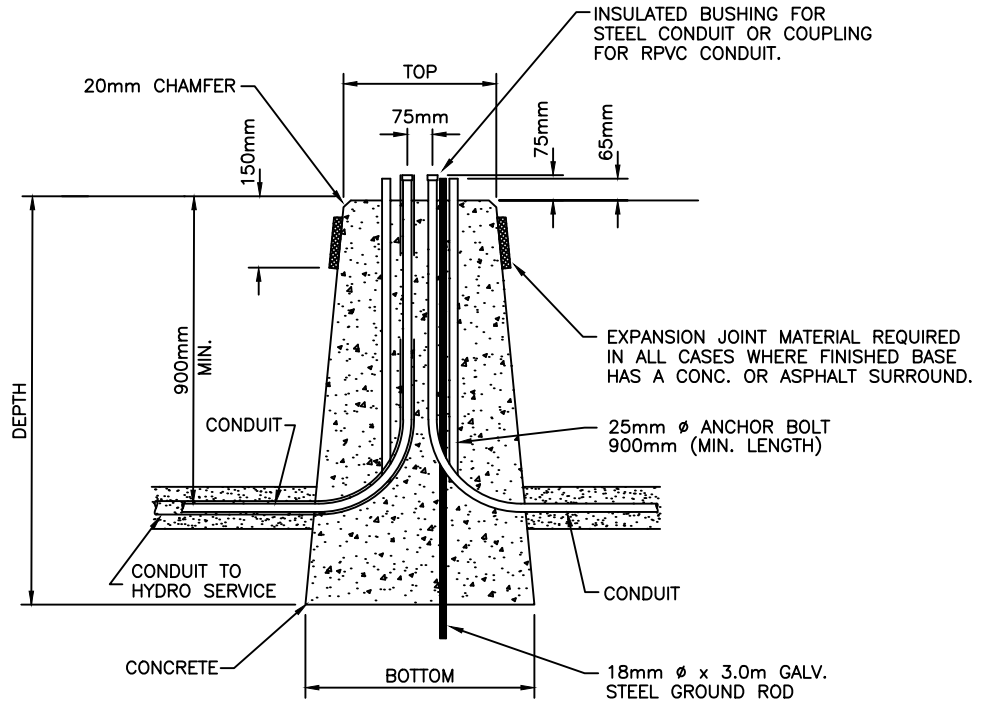
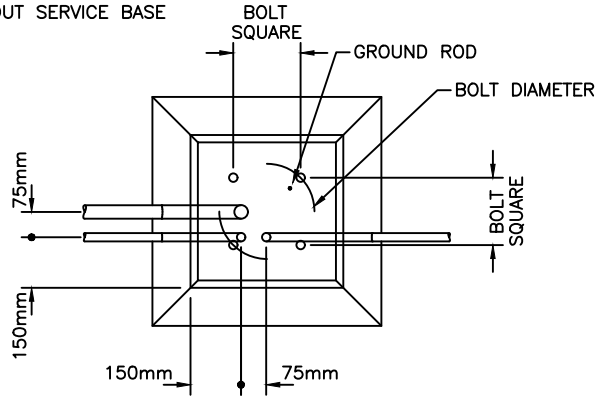
UNDERGROUND STREET LIGHT CONDUIT
IN PAVED AREAS

Scale	N.T.S.
Drawn	G.G.
Date:	MAY 2016
Dwg. No.	E2

	POLE HEIGHT	BOTTOM	TOP	DEPTH	BOLT SQUARE	BOLT DIAM.	GROUND ROD
STREET LIGHT BASE	9.0m AND LESS	600	450	1200	197	278	
STREET LIGHT SERVICE BASE	9.0m AND LESS	600	450	1200	269	380	REQUIRED
STREET LIGHT BASE	9.5m TO 10.5m	840	460	1500	197	278	
STREET LIGHT SERVICE BASE	9.5m TO 10.5m	840	460	1500	269	380	REQUIRED

NOTE: WITH SHOE BOX STYLE LIGHTS
MMCD BASE TYPE C2 IS ACCEPTABLE WITHOUT SERVICE BASE

MMCD C3 IS REQUIRED WITH SERVICE BASE



NOTE: ALL DIMENSIONS SHOWN IN MILLIMETRES
UNLESS OTHERWISE STATED.

City of
Parksville

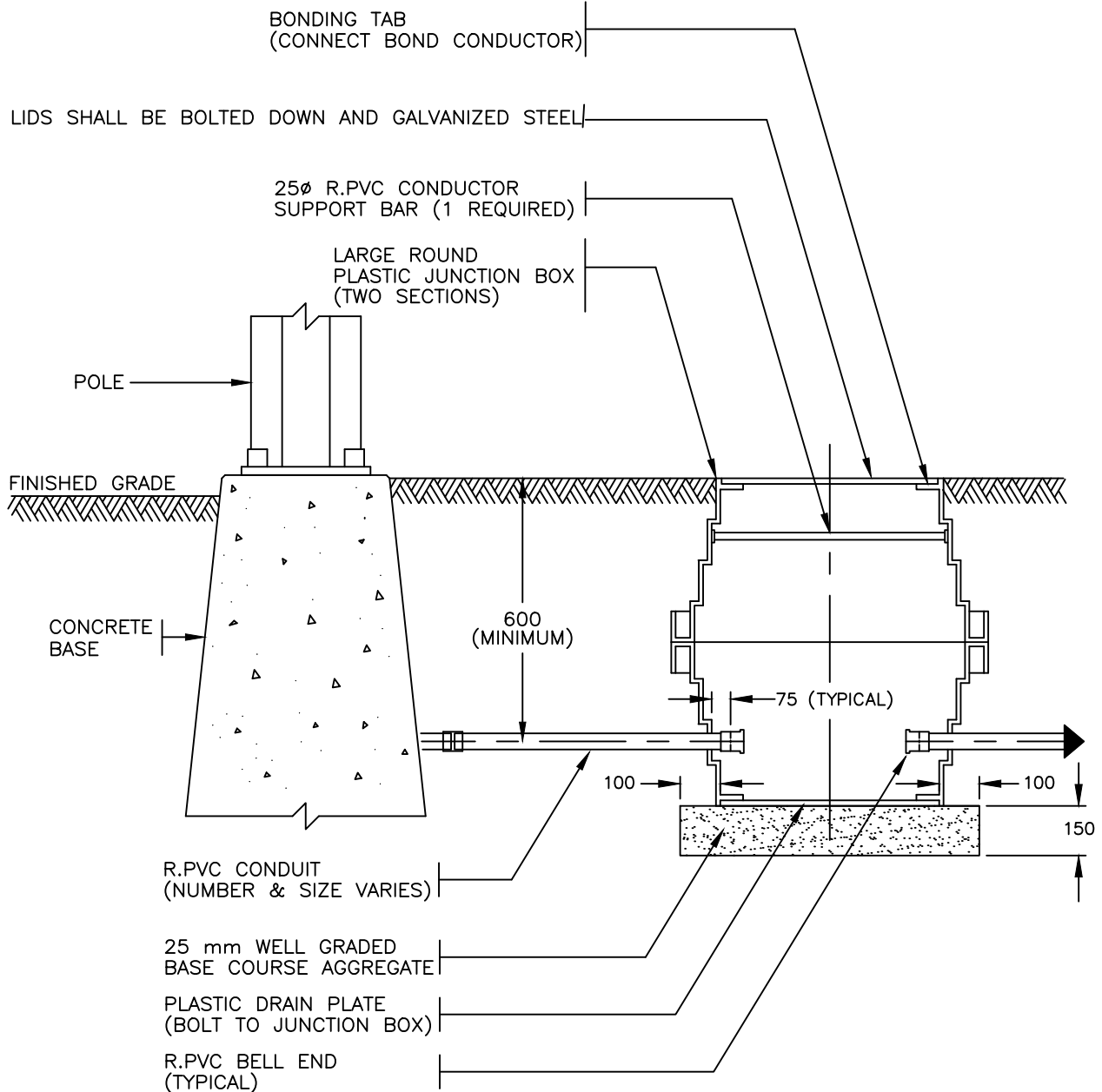
STREET LIGHT BASE

Scale N.T.S.

Drawn G.G.

Date: MAY 2016

Dwg. No. E3



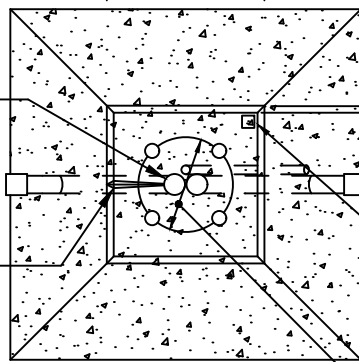
NOTES:

1. REFER TO CONTRACT DRAWINGS AND SECTION 8 FOR DETAILED SPECIFICATIONS. INSTALL LID ON PLASTIC JUNCTION BOX BEFORE BACKFILLING, TAMPING & PAVING OPERATIONS
2. INSTALL TOP OF JUNCTION BOX FLUSH WITH FINISHED GRADE.
3. ALL DIMENSIONS IN MILLIMETERS UNLESS OTHERWISE NOTED.
4. NUMBER OF CONDUITS ENTERING JUNCTION BOX NOT TO EXCEED 10 (UNLESS OTHERWISE NOTED).

LOCATE ALL CONDUITS, EXCEPT THE SERVICE CONDUITS IN THE CENTRE OF ANCHOR BOLT CIRCLE. LOCATE SERVICE AND GROUND CONDUITS TO SUIT ENTRANCE KNOCKOUT IN SERVICE PANEL

'V' GROOVE DRAIN TO START AT ZERO DEPTH AND WIDTH IN THE CENTRE OF THE BASE AND EXTEND TO A 10mm DEPTH AND WIDTH AT THE OUTSIDE EDGE (ORIENT IN THE SAME DIRECTION AS CONDUIT)

600
 360 WITHOUT SERVICE BASE
 450 WITH SERVICE BASE



20mm CHAMFERED EDGE (TYPICAL)

BASE TYPE SHALL BE IMPRINTED IN CONCRETE WITH A 25mm LETTER. LOCATE IMPRINT SO IT IS VISIBLE AFTER POLE INSTALLATION.

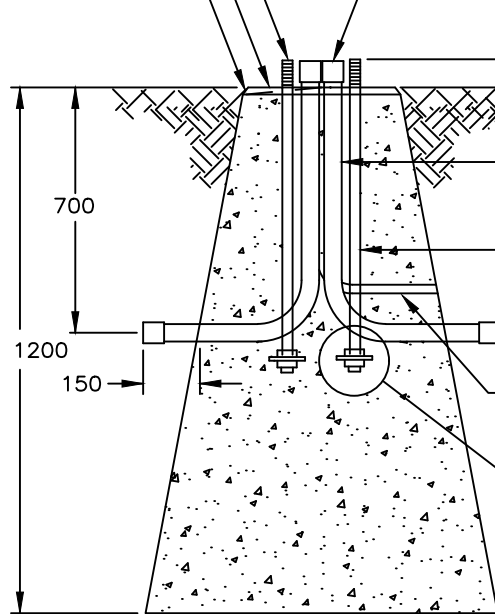
TOP VIEW

(ANCHOR BOLT CIRCLE)
 280 WITHOUT SERVICE BASE
 380 WITH SERVICE BASE

NUTS AND WASHERS ARE SUPPLIED WITH POLE BOLT KITS.

TOP OF BASE SHALL BE LEVEL
 TROWEL FINISH TOP & CHAMFER EDGES

R.PVC COUPLING (TYPICAL)

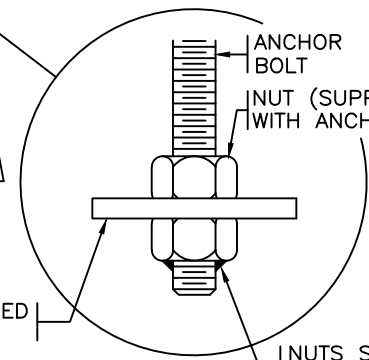


80
 FINISHED GRADE

R.PVC CONDUITS (NUMBER AND SIZE AS NOTED ON CONTRACT DRAWINGS)

4-25mmØ GALVANIZED ANCHOR BOLTS

25mmØ R.PVC FOR GROUND (WHERE REQUIRED)



ELEVATION

STEEL PLATE (SUPPLIED WITH ANCHOR BOLT)

NUTS SHALL BE SUPPLIED TACK WELDED TO ANCHOR BOLTS.

USE FOR SHOE BOX STYLE STREETLIGHTS ONLY

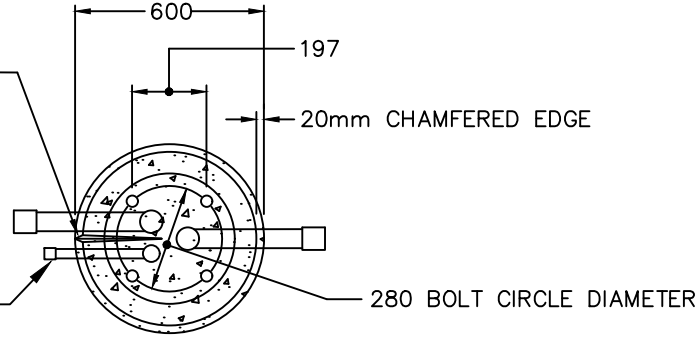
MMCD BASE TYPE C2 WITHOUT SERVICE BASE
 MMCD BASE TYPE C3 WITH SERVICE BASE

City of
Parksville

MMCD TYPE TRAPEZOIDAL SHAPE
 CONCRETE STREET LIGHT BASES

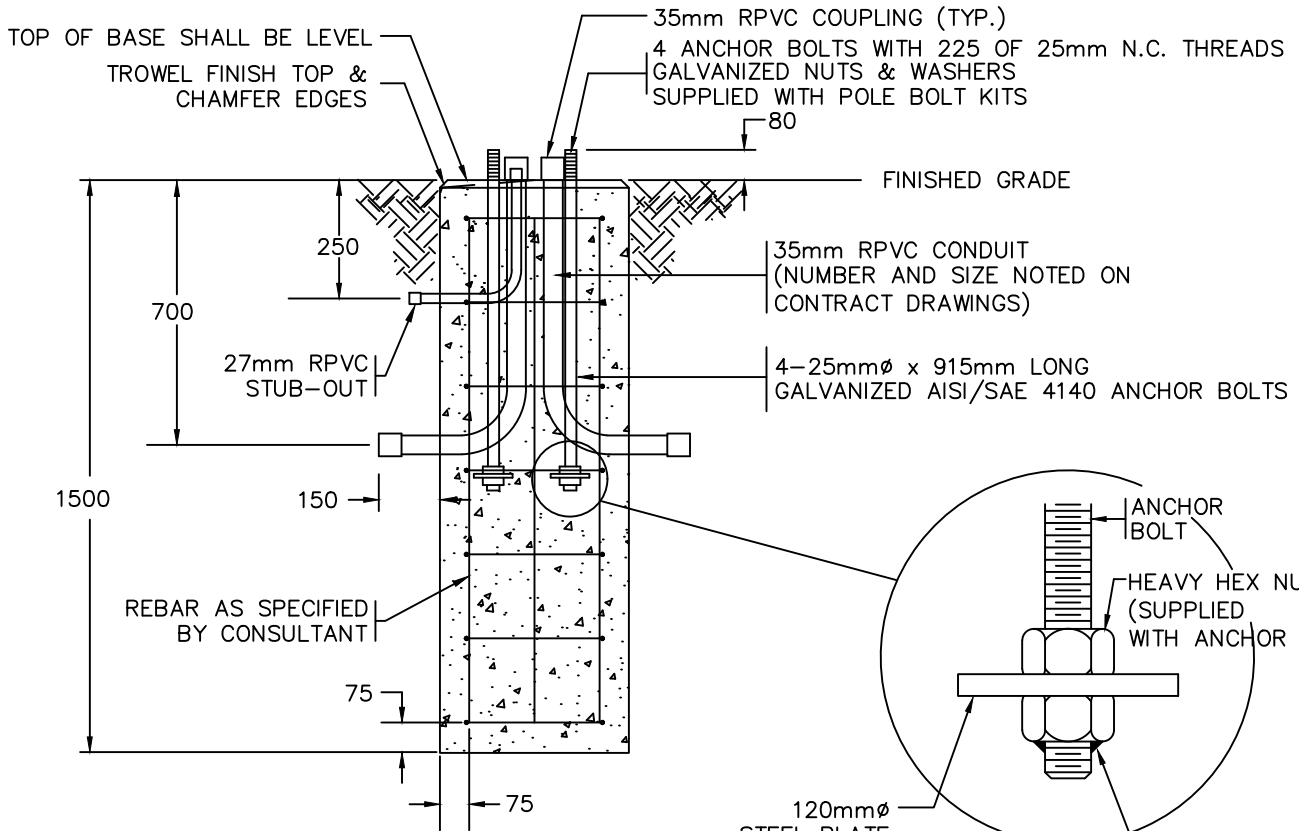
Scale N.T.S.
 Drawn G.G.
 Date: MAY 2016
 Dwg. No. E5

'V' GROOVE DRAIN TO START AT ZERO DEPTH AND WIDTH IN THE CENTRE OF THE BASE AND EXTEND TO A 10mm DEPTH AND WIDTH AT THE OUTSIDE EDGE



27mm RPVC IRRIGATION SLEEVE. COORDINATE WITH POLE SUPPLIER

TOP VIEW



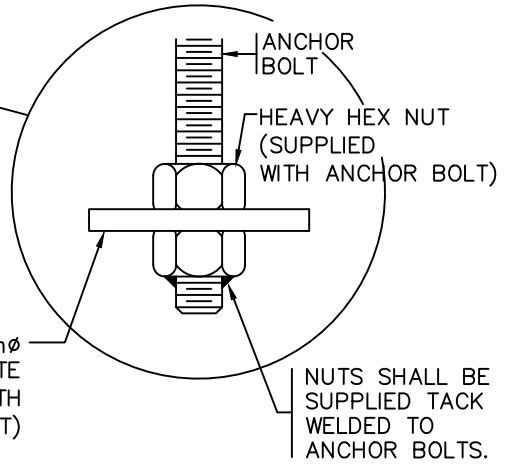
TOP OF BASE SHALL BE LEVEL
TROWEL FINISH TOP & CHAMFER EDGES

35mm RPVC COUPLING (TYP.)
4 ANCHOR BOLTS WITH 225 OF 25mm N.C. THREADS
GALVANIZED NUTS & WASHERS
SUPPLIED WITH POLE BOLT KITS

35mm RPVC CONDUIT
(NUMBER AND SIZE NOTED ON CONTRACT DRAWINGS)

4-25mm ϕ x 915mm LONG
GALVANIZED AISI/SAE 4140 ANCHOR BOLTS

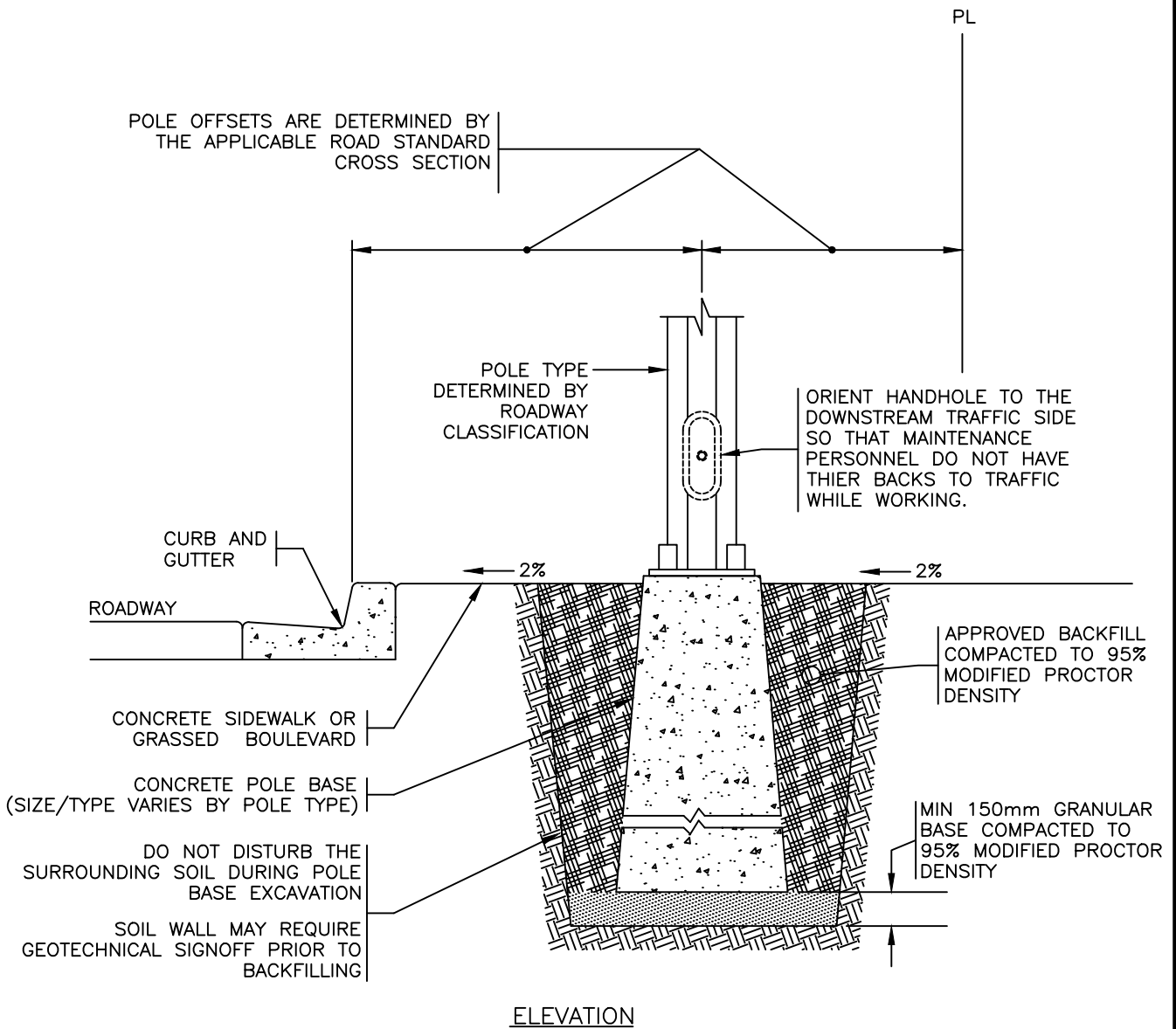
REBAR AS SPECIFIED BY CONSULTANT



ELEVATION

NOTES

1. REFER TO CONTRACT DRAWINGS AND SECTION 8 FOR DETAILED SPECIFICATIONS.
2. ALL DIMENSIONS ARE IN MILLIMETRES UNLESS OTHERWISE NOTED.
3. CONCRETE SHALL HAVE ATTAINED A MINIMUM COMPRESIVE STRENGTH OF 30MP α PRIOR TO POLE INSTALLATION



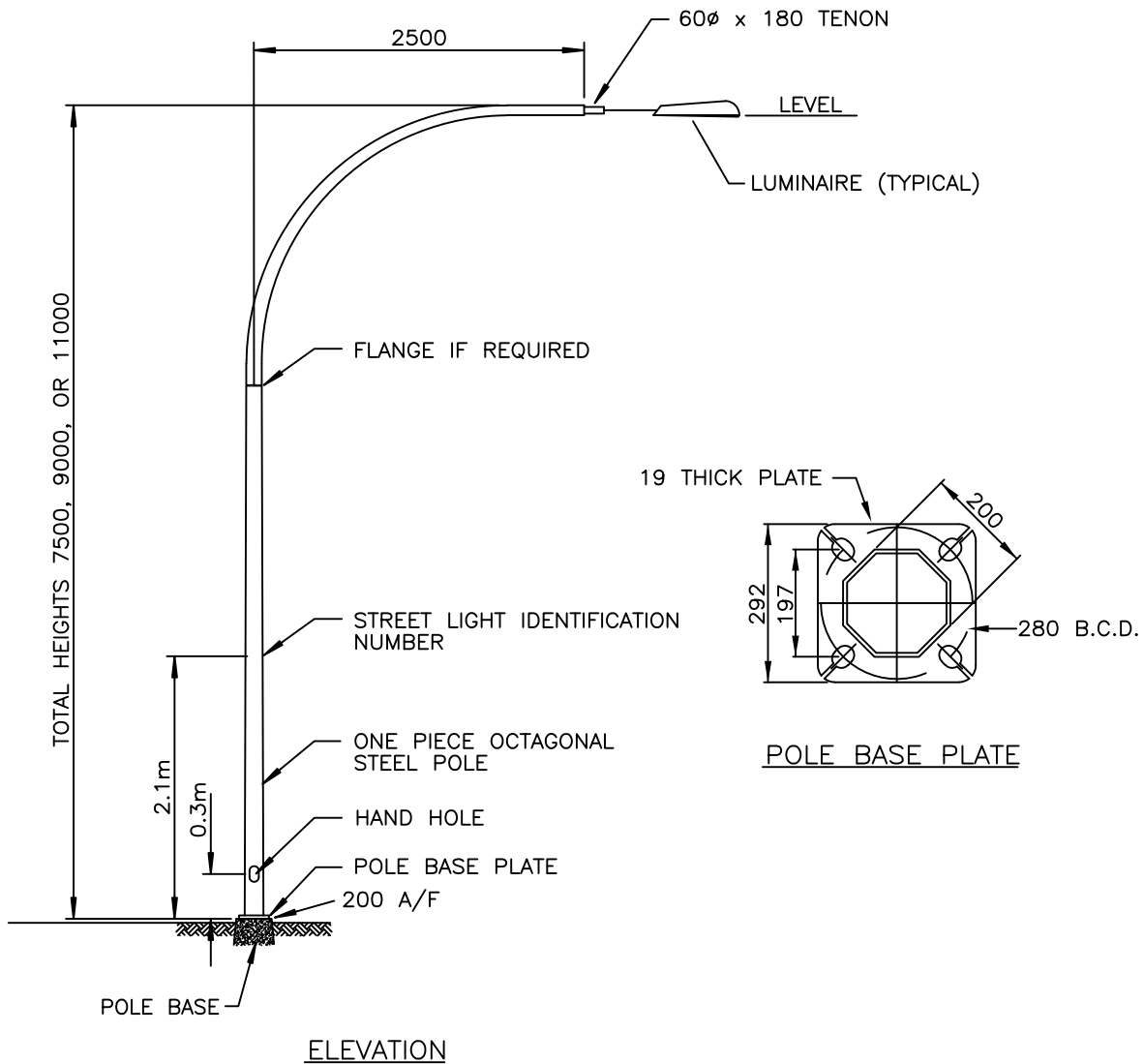
NOTES

1. REFER TO SECTION 8 FOR DETAILED SPECIFICATIONS.
2. ALL DIMENSIONS ARE IN MILLIMETRES UNLESS OTHERWISE NOTED.
3. TRENCHING TO COMPLY WITH ALL REQUIREMENTS OF WORK SAFE BC.

City of
Parksville

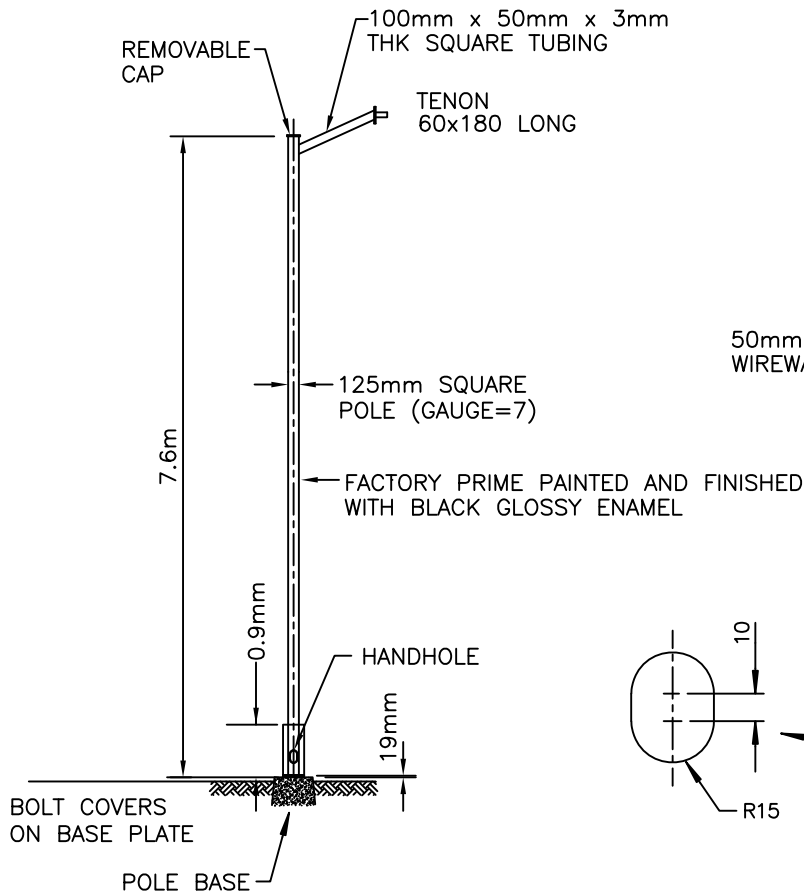
STREETLIGHT POLE BASE
INSTALLATION DETAILS

Scale	N.T.S.
Drawn	G.G.
Date:	MAY 2016
Dwg. No.	E7

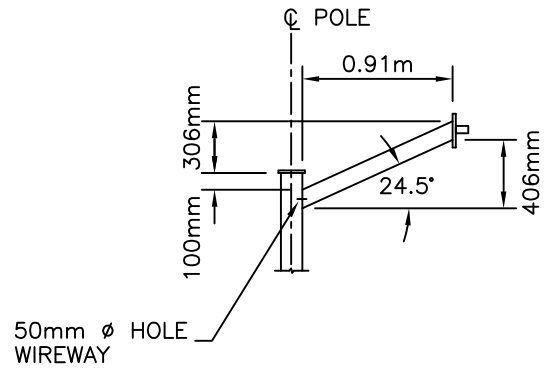


NOTES:

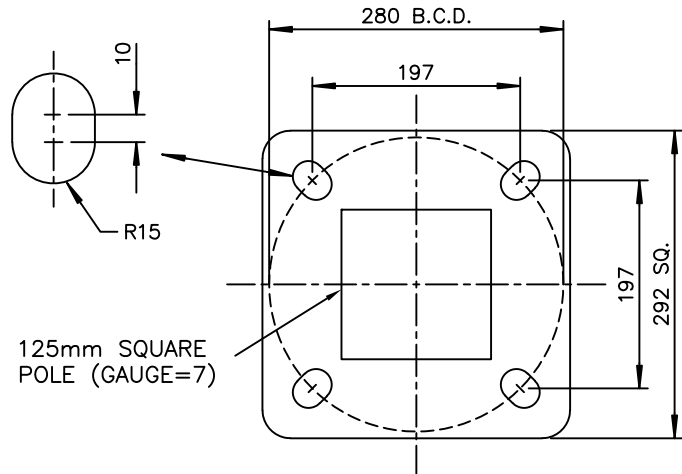
1. STRICT ADHERENCE TO CLEARANCES FROM HIGH AND LOW VOLTAGE POWER LINES AS SPECIFIED IN THE CANADIAN ELECTRICAL CODE IS REQUIRED.
2. POLE HEIGHTS ARE DETERMINED BY ROADWAY CLASSIFICATION, SEE SECTION 8 FOR DETAILS.
3. POLE SHAFT(S) TO BE SUPPLIED 0.9m SHORTER WHERE BEING INSTALLED ON SERVICE BASE.
4. 7.5m AND 9.0m POLES MAY BE ONE PIECE TYPE.
5. POLE SUPPLIER TO CO-ORDINATE BASE PLATE AND BOLT DETAILS WITH CONCRETE BASE SUPPLIER.
6. REFER TO CITY OF PARKSVILLE APPROVED PRODUCTS LIST FOR ACCEPTABLE LUMINAIRE TYPES.
7. ALL DIMENSIONS IN MILLIMETERS UNLESS OTHERWISE SHOWN.



ELEVATION



LUMINAIRE ARM DETAIL



POLE BASE PLATE

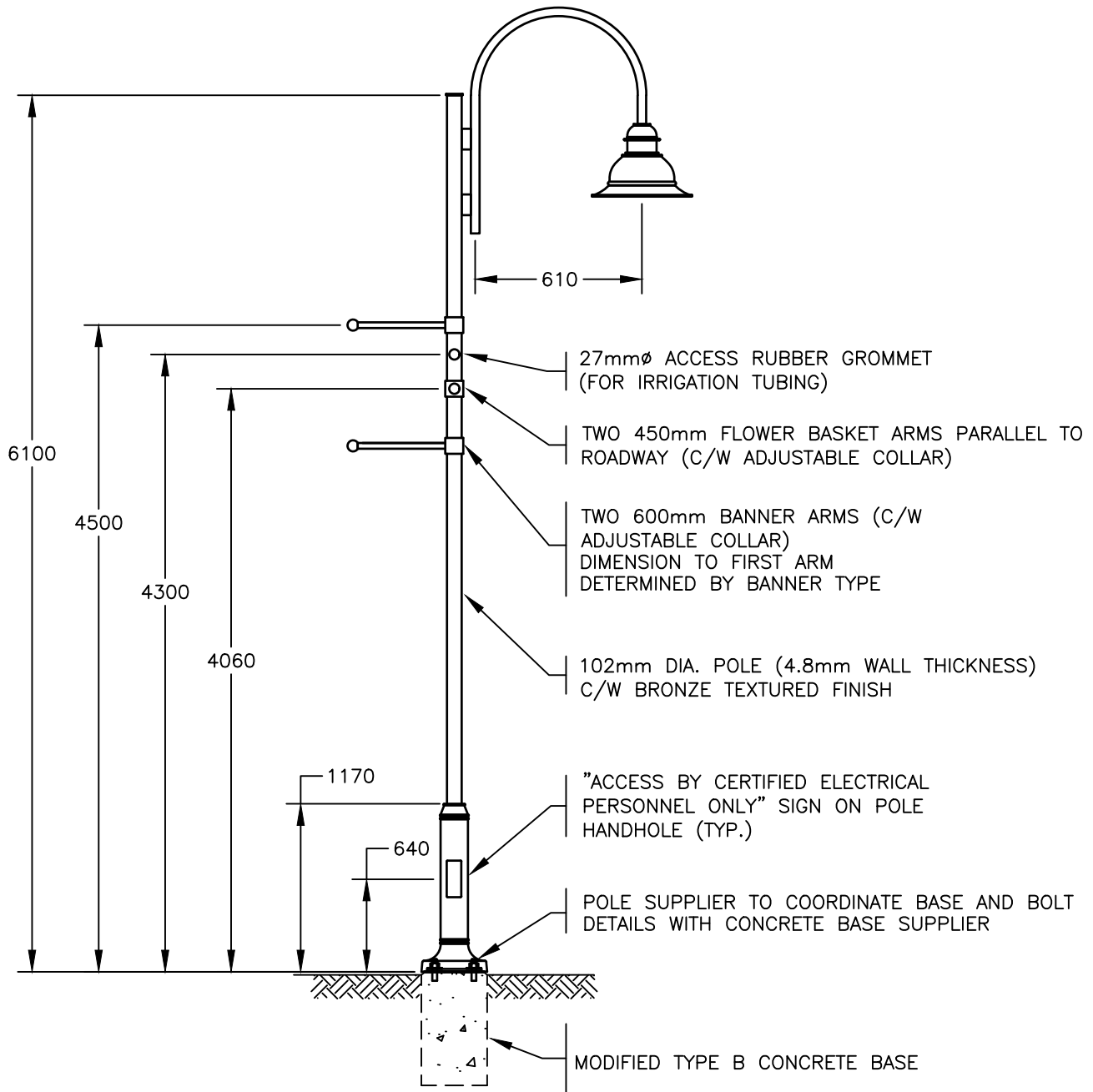
NOTES:

1. STRICT ADHERENCE TO CLEARANCES FROM HIGH AND LOW VOLTAGE POWER LINES AS SPECIFIED IN THE CANADIAN ELECTRICAL CODE IS REQUIRED.
2. 6.7m POLE TO BE SUPPLIED WHERE BEING INSTALLED ON SERVICE BASE
3. POLE SUPPLIER TO CO-ORDINATE BASE PLATE AND BOLT DETAILS WITH CONCRETE BASE SUPPLIER.
4. REFER TO CITY OF PARKSVILLE APPROVED PRODUCTS LIST FOR ACCEPTABLE LUMINAIRE TYPES
5. ALL DIMENSIONS IN MILLIMETERS UNLESS OTHERWISE SHOWN.

City of
Parksville

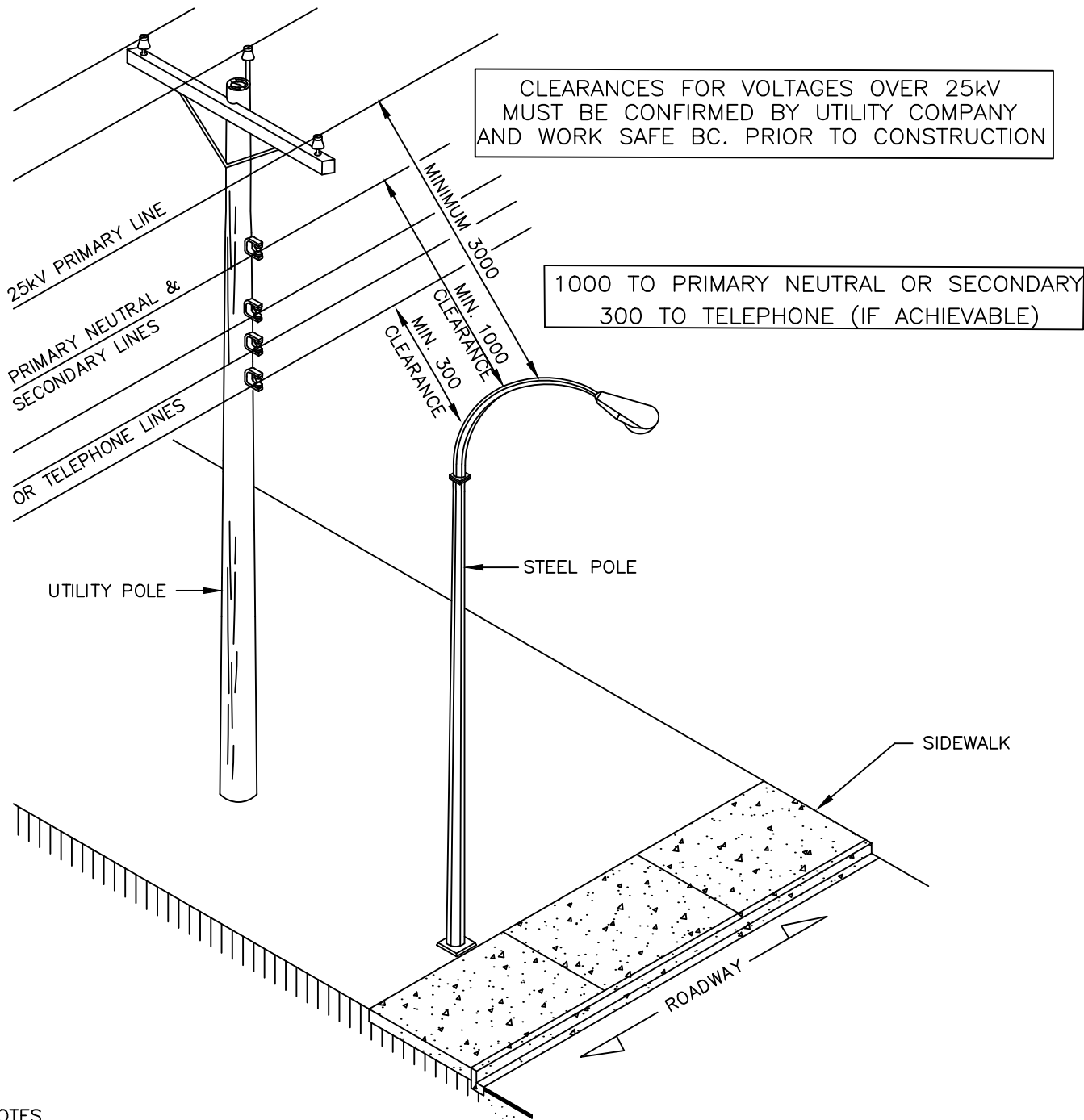
ONE PIECE LUMINAIRE POLE
FOR ROAD STD RC1, RC2,
RC3, RC7

Scale	N.T.S.
Drawn	G.G.
Date:	MAY 2016
Dwg. No.	E9



NOTES:

1. STRICT ADHERENCE TO CLEARANCES FROM HIGH VOLTAGE POWER AS SPECIFIED IN THE CANADIAN ELECTRICAL CODE IS REQUIRED.
2. 5.2m POLE TO BE SUPPLIED WHERE BEING INSTALLED ON SERVICE BASE.
3. LUMINAIRE TO BE LUMEC DMS50-150WHP5-SC3BM OR APPROVED EQUAL.
4. DAVIT ARM TO BE LUMEC CN5-1A OR APPROVED EQUAL
5. POLE TO BE 6.1m LUMEC SM8V-20 OR APPROVED EQUAL C/W TWO BANNER ARMS AND TWO FLOWER BASKET HANGER ARMS.
6. ENTIRE STREETLIGHT FIXTURE AND POLE TO BE FINISHED WITH A TEXTURED BRONZE POWDER COAT FINISH.
7. ALL DIMENSIONS IN MILLIMETERS UNLESS SHOWN OTHERWISE



NOTES

1. REFER TO CONTRACT DRAWINGS AND SECTION 8 FOR DETAILED SPECIFICATIONS.
2. CLEARANCES LISTED ABOVE ARE TO BE USED AS A GUIDELINE ONLY. EXACT REQUIRED CLEARANCES MAY VARY AND MUST BE CONFIRMED BY THE ENGINEER AND CONTRACTOR PRIOR TO CONSTRUCTION.
3. FOR CLEARANCES LESS THAN 3.0m CONTRACTOR TO MUST FIRST NOTIFY THE ENGINEER, AND OBTAIN APPROVAL FROM UTILITY COMPANY AND WORK SAFE BC PRIOR TO INSTALLATION.

City of
Parksville

MINIMUM CLEARANCES TO
OVERHEAD POWERLINES

Scale	N.T.S.
Drawn	G.G.
Date:	MAY 2016
Dwg. No.	E11